

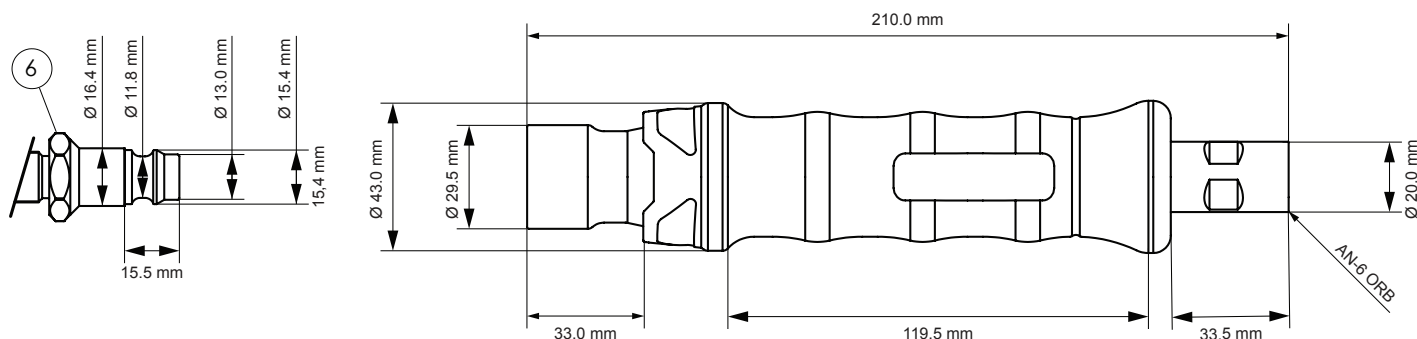
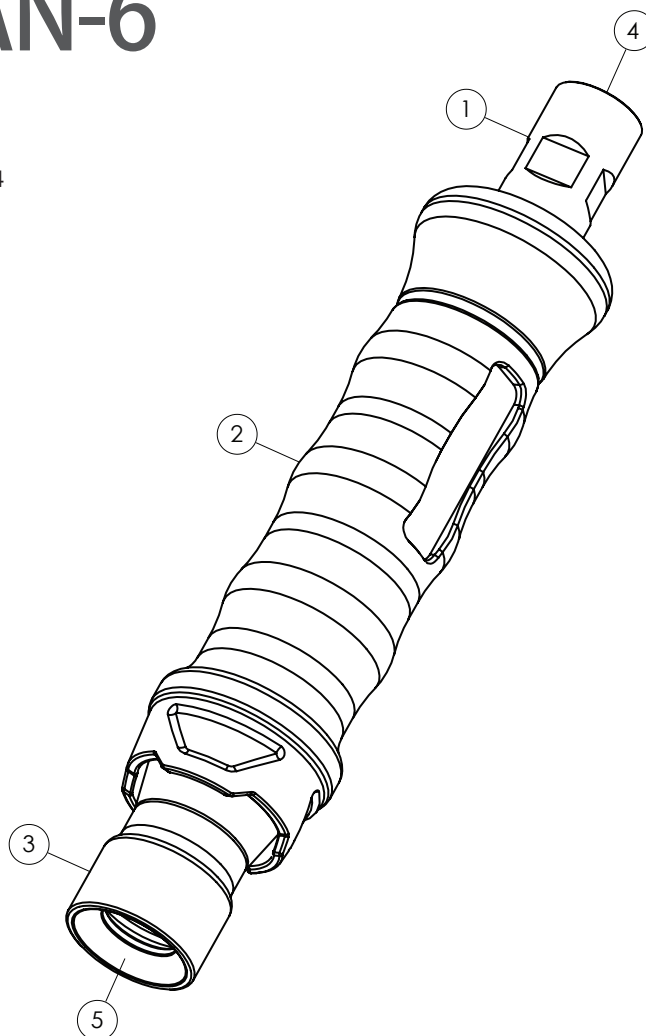
# Air Jack Lance, AN-6

Part # 570-10-001

Assembly Instructions | © Nuke Performance AB 2024

For more information visit : [www.nukeperformance.com](http://www.nukeperformance.com)

- 1 Aluminum main shaft with key grip
- 2 Louvered aluminum handle
- 3 Stainless steel lance head
- 4 AN-6 ORB Female inlet port
- 5 Air jack connector female port
- 6 Air jack connector male adapter (not included)



## Nuke Performance Air Jack Lance, AN-6 specifications

For more information about specifications, visit our product page on our website.

Nuke Performance : [www.nukeperformance.com](http://www.nukeperformance.com)



**Max. operating pressure** 40 BAR (580 PSI)

**Min. operating pressure** 8 BAR (120 PSI)

**Pressure inlet thread** AN-6 ORB Female

**Pressure output** Air jack connectors \*

**Length** 210mm (8.27")

**Diameter** 43mm (1.69")

**Weight** 530g (18.69oz)

**Compatibility** Compressed air, Argon, Nitrogen \*\*

**Lubrication** Silicon-based only

**For motorsports use** YES

**Part #** 570-10-001

**EAN** 7340209508024

\* Used with Nuke Performance Air Jack connectors as illustrated above, but also works with other manufacturers connectors. Male connector is not included with lance.

\*\* Should not be used with gases other than specified in the compatibility list.



INCORRECT INSTALLATION CAN CAUSE SERIOUS DAMAGE TO THE PRODUCT AND VEHICLE. AS A RESULT, ACCIDENTS, PROPERTY DAMAGE, AND PERSONAL INJURY ARE POSSIBLE. INSTALLATION MAY ONLY BE CARRIED OUT BY EXPERTS. MAKE SURE TO ALWAYS USE ALL NECESSARY SAFETY EQUIPMENT. THE MANUFACTURER IS NOT LIABLE FOR DAMAGE CAUSED BY IMPROPER INSTALLATION.



## Information:

Design combined with top quality performance.  
For more information about the products and retailers visit  
[www.nukeperformance.com](http://www.nukeperformance.com)

**nuke**  
PERFORMANCE